

Read Instruction manual carefully to ensure proper installation.  
Please keep this instruction manual for future using!

**! WARNING**

To avoid the risk of fire, or electric shock this product should be installed, inspected, and maintained by a qualified electrician only. Installation should be completely by an individual familiar with the construction and operation of the luminaire. Installation of luminaire must be in accordance with nation and local building and electrical codes.

**Safety Warning:**

To avoid electric shock:  
Be certain electrical power is OFF before and during installation and maintenance.  
Luminaire must be supplied by a wiring system with an equipment grounding conductor.  
To avoid burning hands:  
Make sure lens and housing are cool when performing maintenance.  
To avoid product degradation:  
Make sure the wire supply voltage is the same as the luminaire supply  
Use proper supply wiring as specified on the luminaire nameplate.  
Avoid use in environments containing sulfur, chlorine, or other halides, methyl acetate or ethyl acetate, cyanoacrylates, glycol ethers, formaldehyde or butadiene.

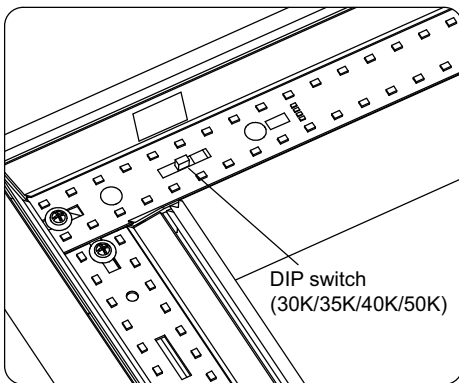
**Notes:**

Instructions do not cover all details and all possible product configurations.  
Do not restrict luminaire ventilation.  
Ensure LED luminaire is not covered with material that will prevent convection or conduction cooling.  
Ensure LED luminaire has the correct polarity before installation  
Avoid exposing wiring to metal edges and sharp objects.

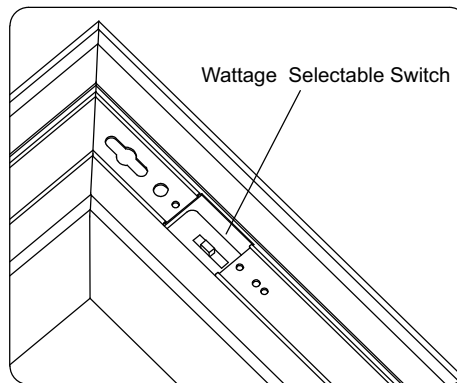
**Maintenance:**

Perform visual, electrical, and mechanical inspections on a regular basis. The environment and frequency of use should determine this. However, it is recommended that checks be made at least once a year. Electrically check to make sure that all connections are clean and tight. Mechanically check that all parts are properly assembled.

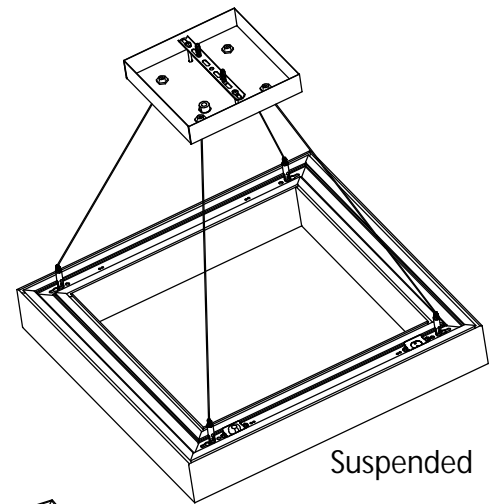
**■ Dip switch for CCT**



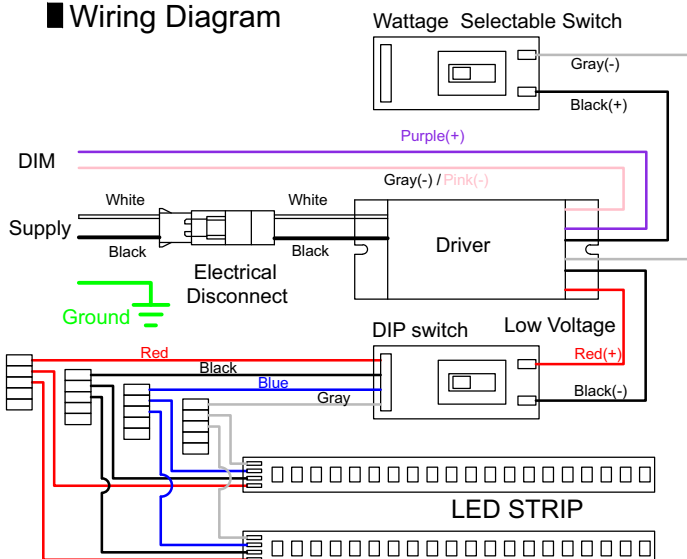
**■ Switch for Wattage**



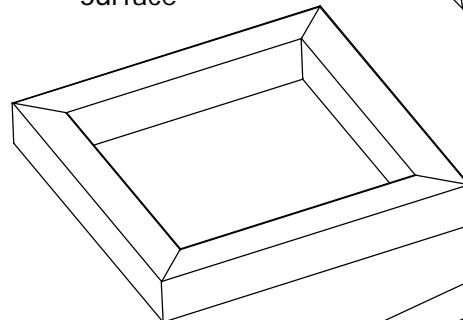
**■ Mounting**



**■ Wiring Diagram**

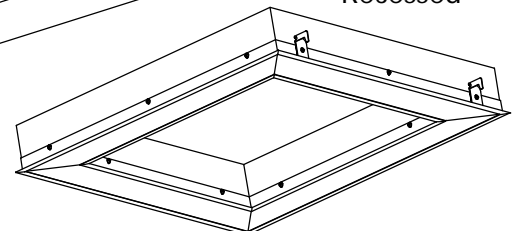


**Surface**

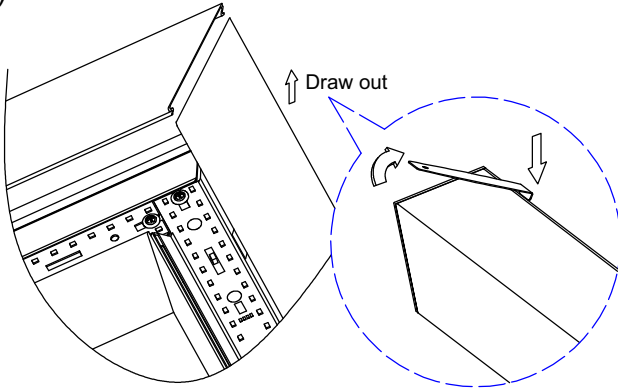
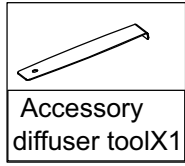


**Suspended**

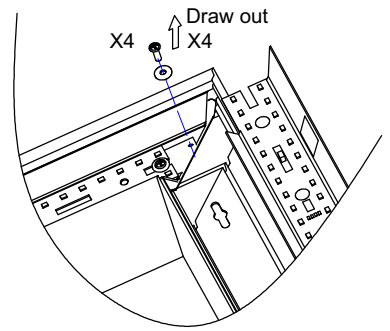
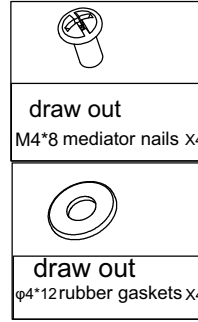
**Recessed**



## General (A)



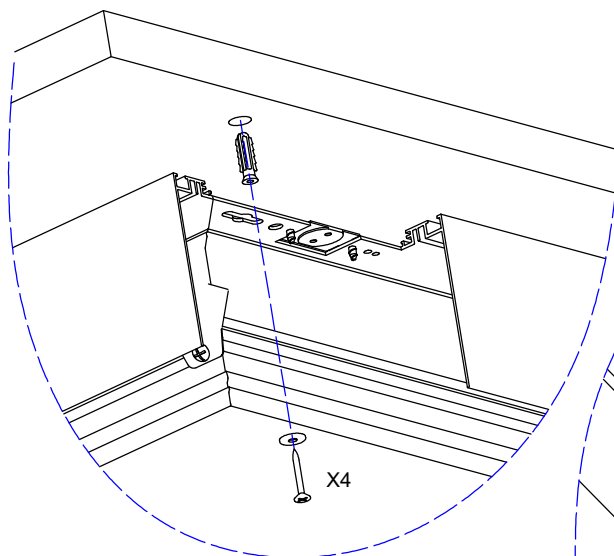
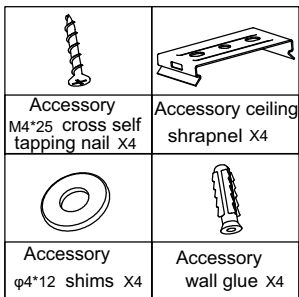
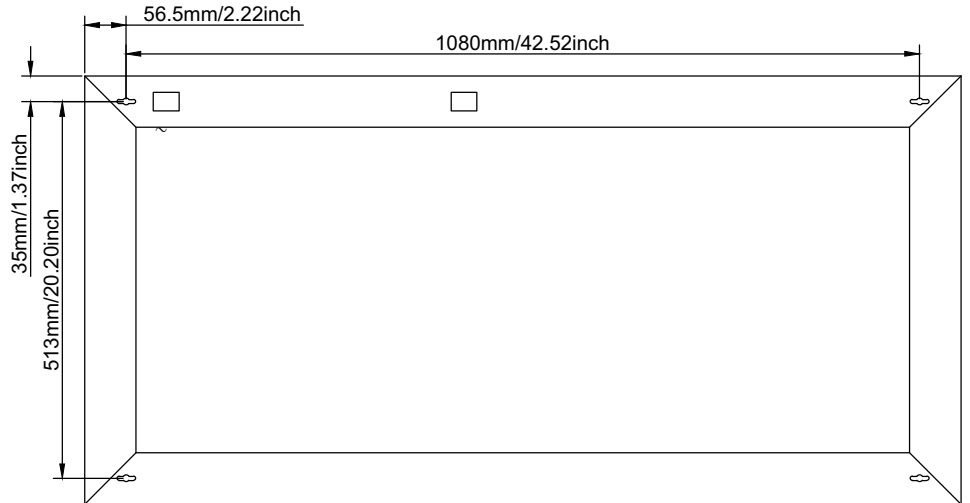
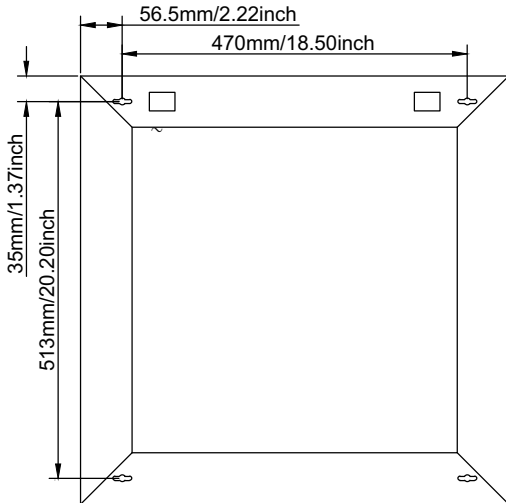
A-A)  
use diffuser tool to draw out the diffuser



A-B)  
Draw out the reflector screws and draw out the reflector (only two long pieces need to draw out)

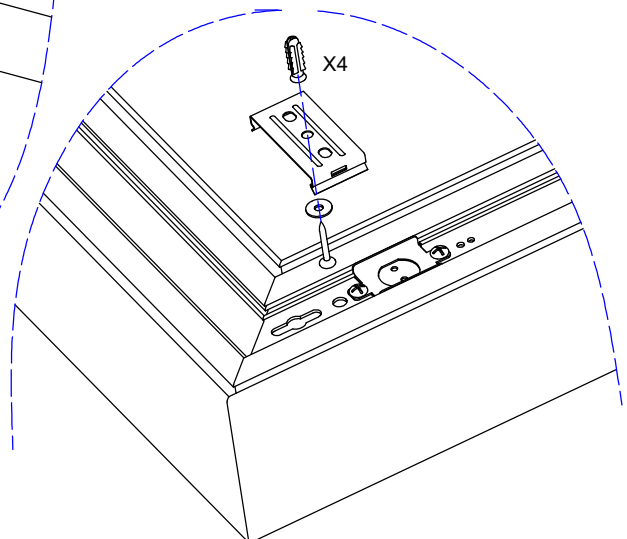
## Surface mounted (B)

use the general first (A) mounting hole spacing

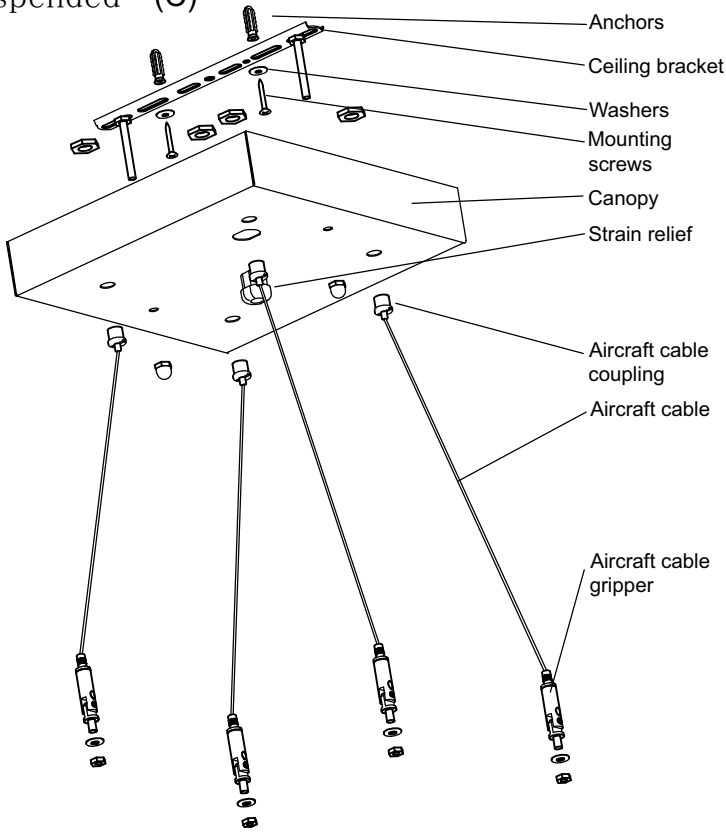




B-A-A) locate the ceiling hole  
plug in wall glue  
fastened the shrapnel with screws

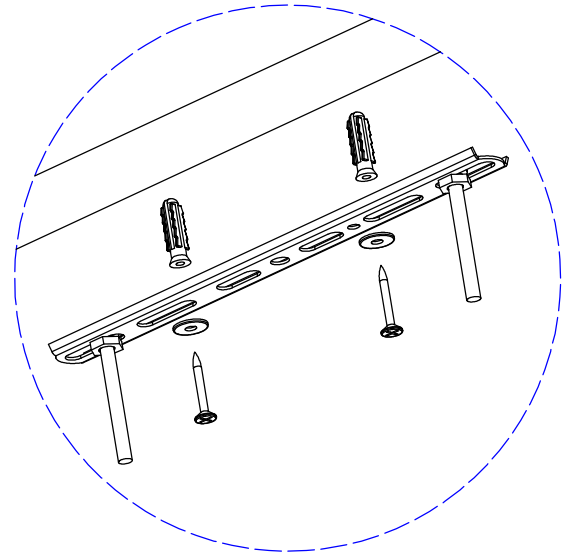
B-B-A) locate the ceiling hole  
plug in wall glue  
fastened the shrapnel with screws  
snap on the stand



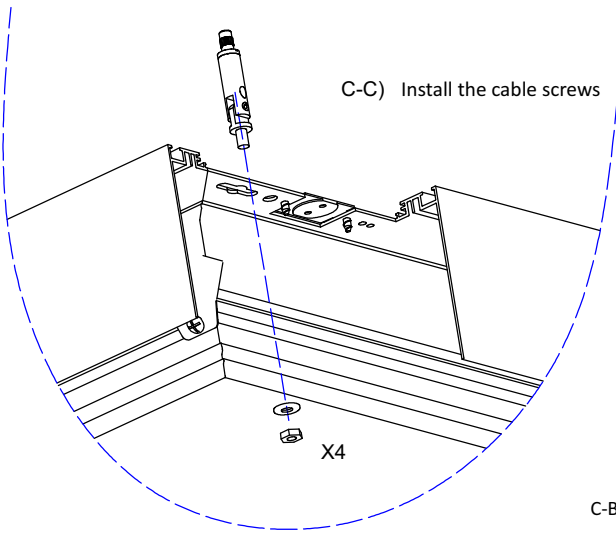
## ■ suspended (C)



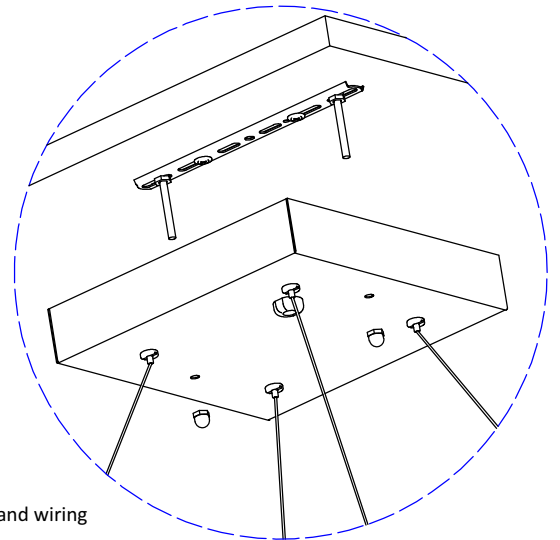
	
Accessory φ5*12 shims X4	Accessory M5*3 hex nut X5



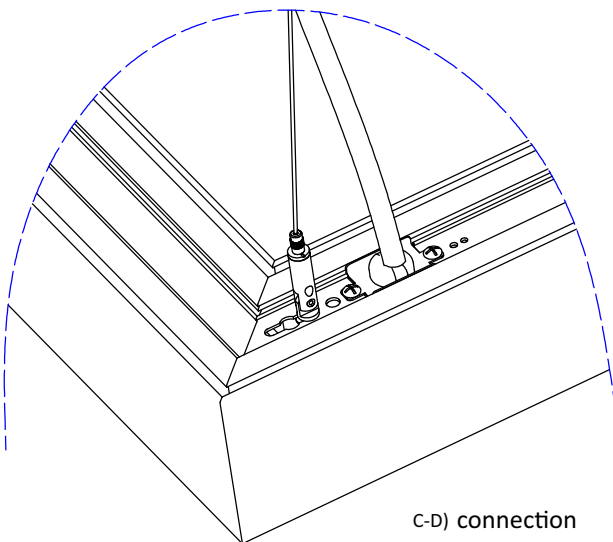
C-A) Install the mounting plate and ground wire



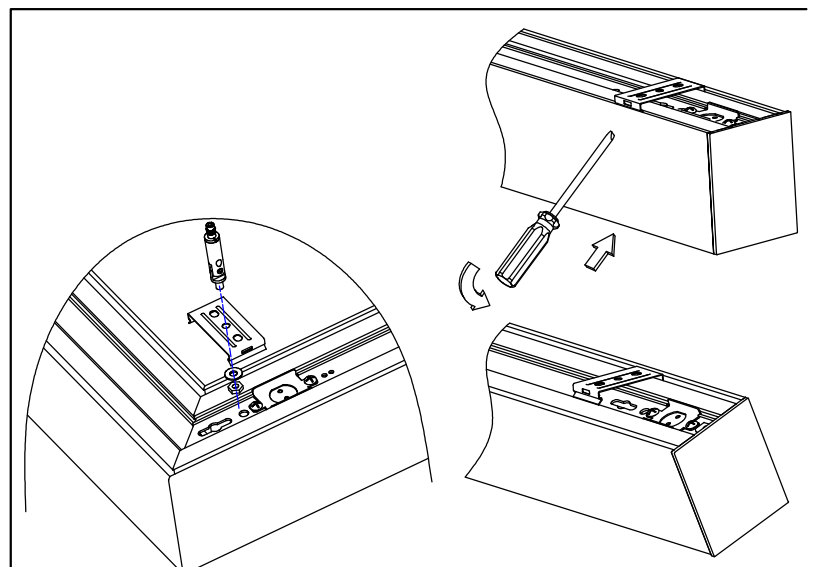
C-C) Install the cable screws



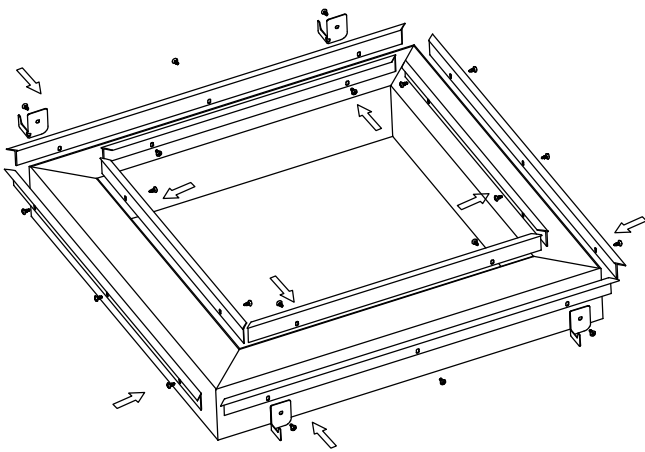
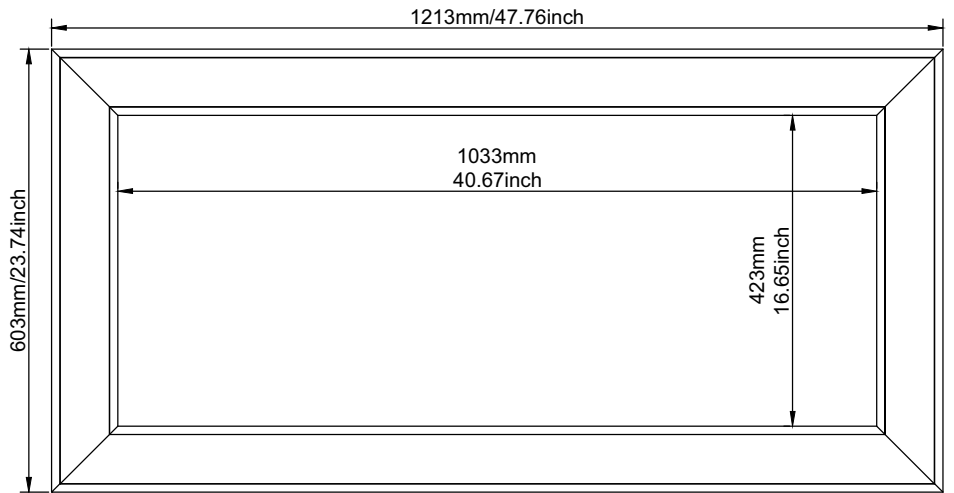
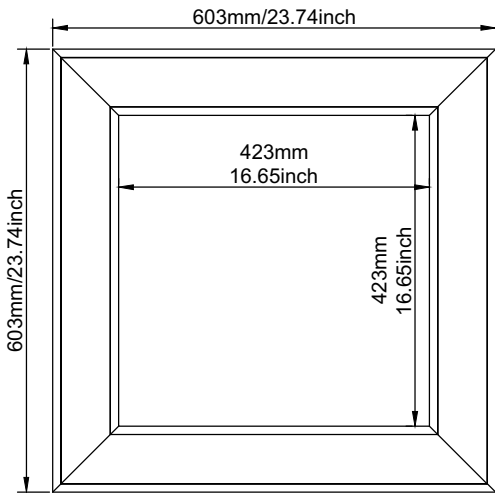
C-B) canopy box installation and wiring



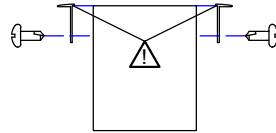
C-D) connection



## ■ Aluminum frame recessed (D)



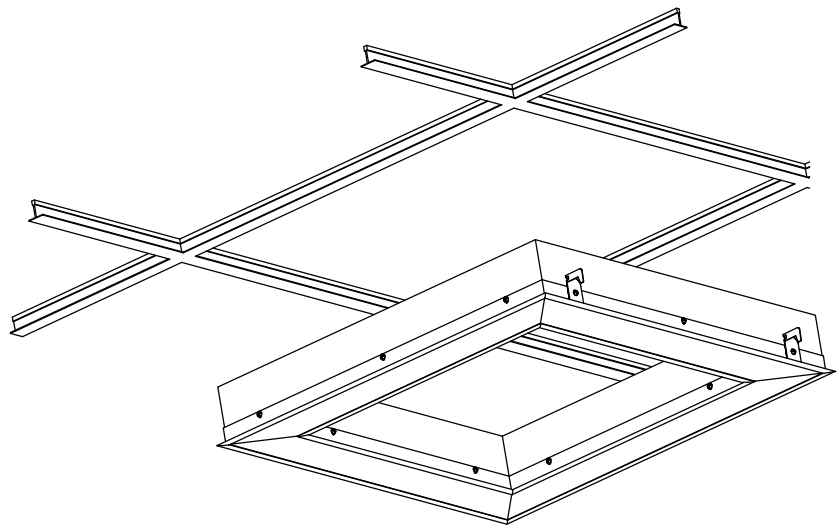
D-A) fitted with an inner and outer border strip and a keel clasp



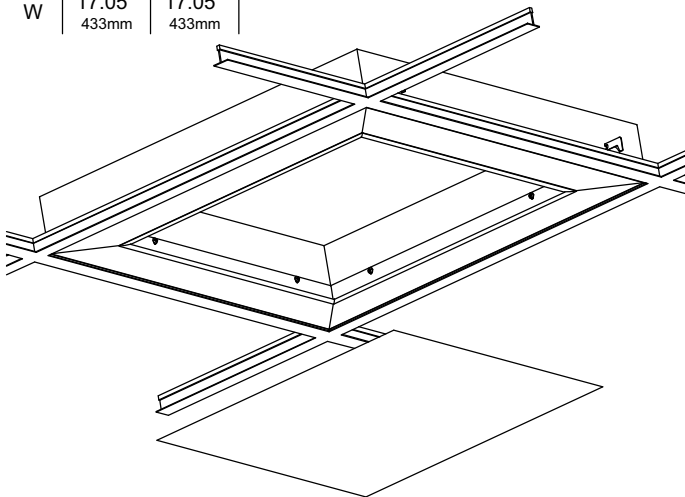
Accessory M4*8 round head with drill nails	Accessory keel buckle x4
2X2ft:20PCS 2X4ft:28PCS	

ceiling cropped dimensions

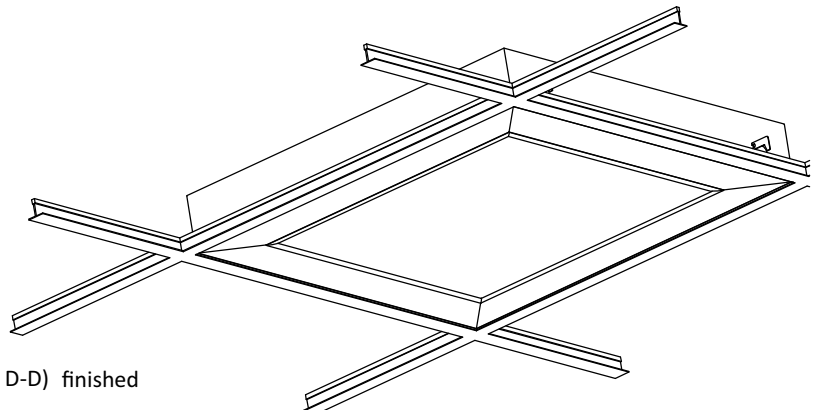
	2X2ft	2X4ft
L	17.05" 433mm	41.06" 1043mm
W	17.05" 433mm	17.05" 433mm



D-B) Embed the housing into the keel buckle



D-C) put back the cropped ceiling



D-D) finished